

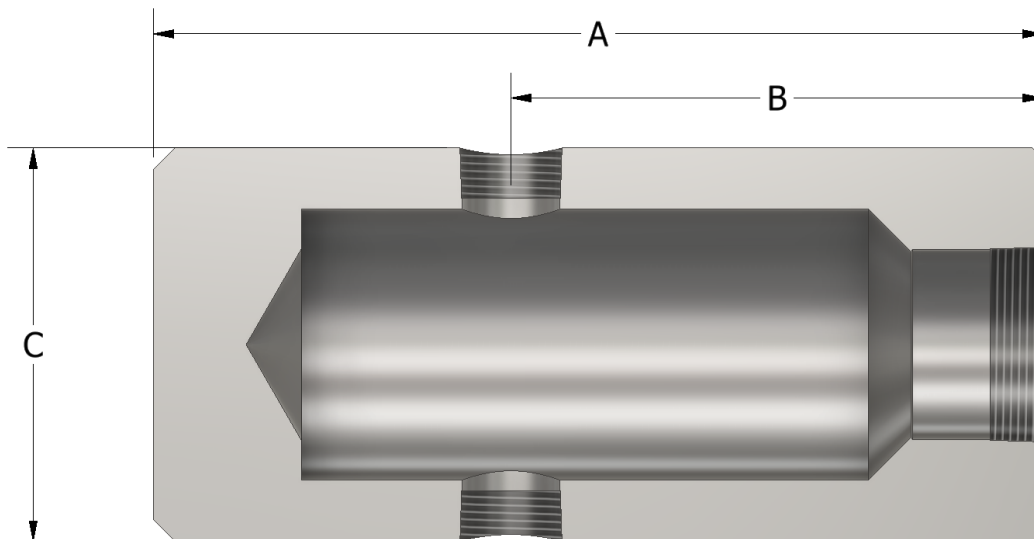


OPERATION

Ruelco Model Level Switch Cages are used for installing the Ruelco Level Switch externally on tanks or pressure vessels. The compact size of these units permit efficient bridle mounting of multiple switches using a minimum number of vessel connections. Standard cages use solid bar non-welded construction allowing them to withstand the most severe operating environments. An NPT drain port can also be added to the back of the cage for horizontal mounting.

FEATURES

- Coated 1018 or 316 stainless steel solid bar construction
- ANSI 600 or ANSI 900



NPT MOUNT EXTERNAL CAGE

DIMENSIONS

A	10.20" (259 mm)
B	6.10" (155 mm)
C	4.50" (114.3 mm)
LEVEL SWITCH CONNECTION	2" NPT
BRIDLE CONNECTIONS	1" NPT

PHONE: 504-340-0055
FAX: 504-340-0056
EMAIL: SALES@RUELCO.COM

1209 DISTRIBUTORS ROW
NEW ORLEANS, LA 70123

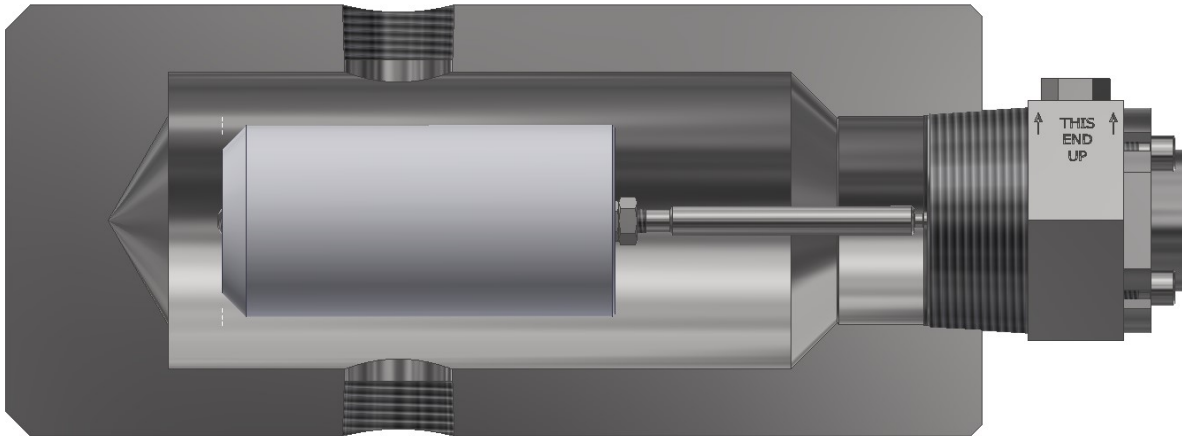


Proudly Distributed By

TRIDENT AUSTRALIA
FLUID SYSTEMS & COMPONENTS

SPECIFICATIONS

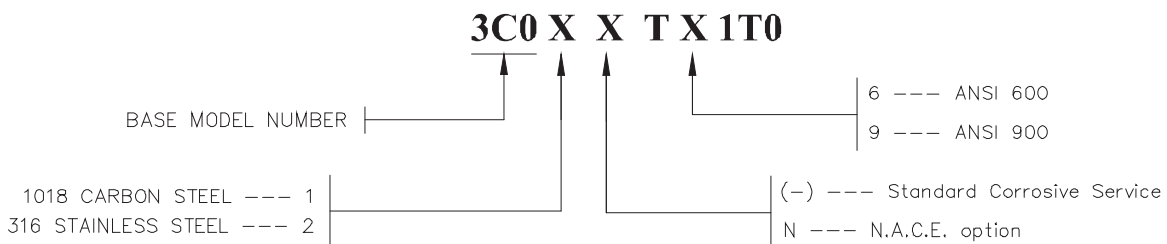
MAXIMUM WORKING PRESSURE @ 100° F	2,160 PSI (149 BAR)
MAXIMUM TEST PRESSURE @ 100° F	3,240 PSI (223.4 BAR)



SHOWN WITH LEVEL SWITCH INSTALLED IN CAGE

NPT MOUNT EXTERNAL CAGE

ORDERING CODE



PHONE: 504-340-0055
FAX: 504-340-0056
EMAIL: SALES@RUELCO.COM

1209 DISTRIBUTORS ROW
NEW ORLEANS, LA 70123

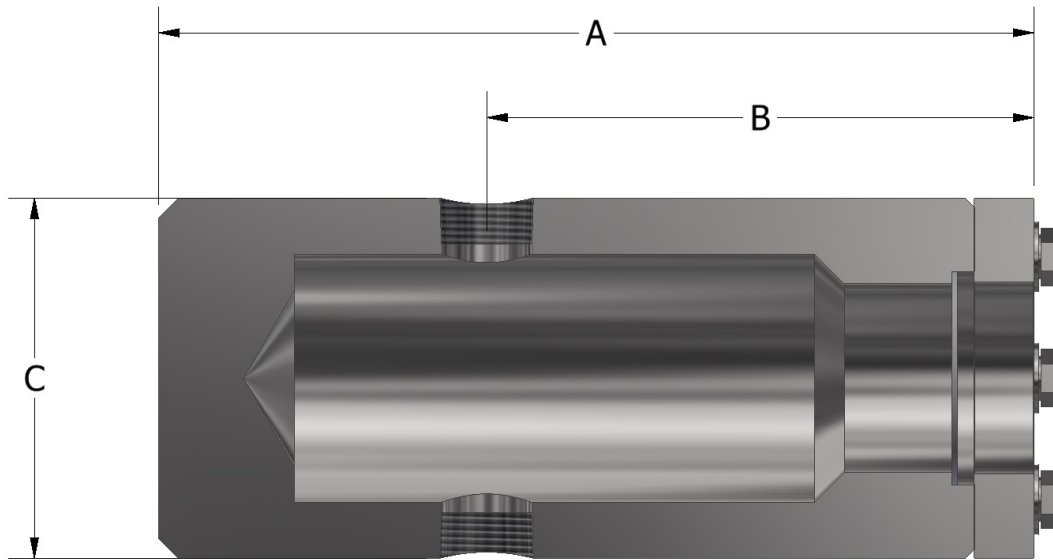


OPERATION

Ruelco Model Level Switch Cages are used for installing the Ruelco Level Switch externally on tanks or pressure vessels. The compact size of these units permit efficient bridle mounting of multiple switches using a minimum number of vessel connections. Standard cages use solid bar non-welded construction allowing them to withstand the most severe operating environments. An NPT drain port can also be added to the back of the cage for horizontal mounting.

FEATURES

- Coated 1018 or 316 stainless steel solid bar construction
- ANSI 600 or ANSI 900



FLANGE MOUNT EXTERNAL CAGE

DIMENSIONS

A	10.95" (278.1 mm)
B	6.85" (174 mm)
C	4.50" (114.3 mm)
LEVEL SWITCH CONNECTION	RUELCO FLANGE
BRIDLE CONNECTIONS	1" NPT

PHONE: 504-340-0055
FAX: 504-340-0056
EMAIL: SALES@RUELCO.COM

1209 DISTRIBUTORS ROW
NEW ORLEANS, LA 70123



Proudly Distributed By

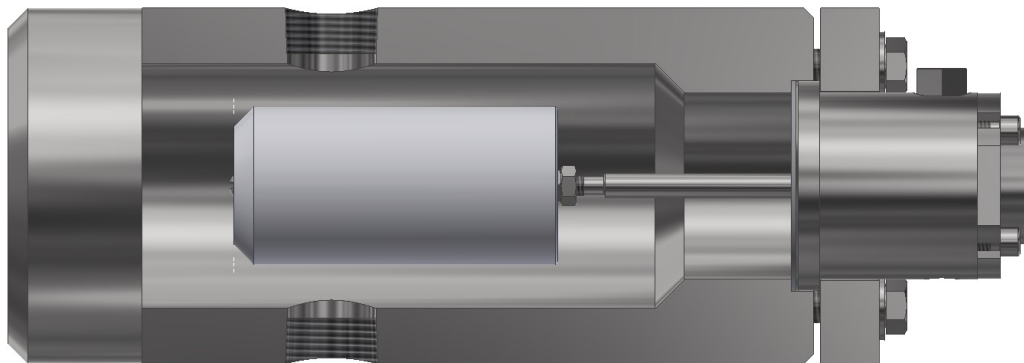
TRIDENT AUSTRALIA
FLUID SYSTEMS & COMPONENTS

PARTS LIST

ITEM	QUANTITY	DESCRIPTION	MATERIAL
1	1	FLANGE CAGE	ASTM A-108 OR 316 ST. STL.
2	1	FLANGE GASKET	BLUE-GARD TM OR 316 ST. STL.
3	1	MOUNTING RING	ASTM A-108 OR 316 ST. STL.
4	6	FLAT WASHER	CARBON STEEL OR 316 ST. STL.
5	6	HEX HEAD BOLT	SAE GRADE 8 OR 316 ST. STL.

SPECIFICATIONS

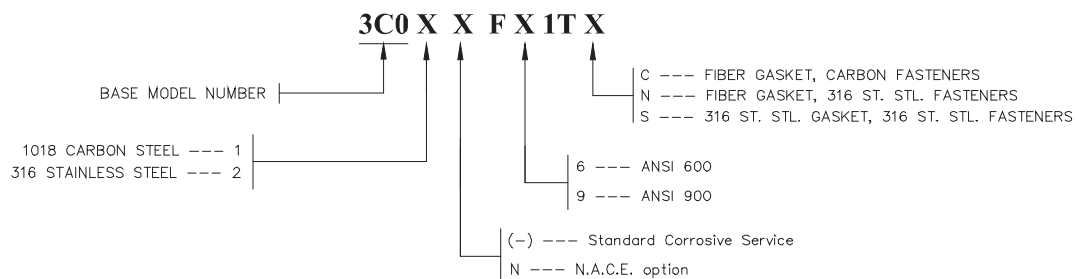
MAXIMUM WORKING PRESSURE @ 100° F	2,160 PSI (149 BAR)
MAXIMUM TEST PRESSURE @ 100° F	3,240 PSI (223.4 BAR)



SHOWN WITH LEVEL SWITCH INSTALLED IN CAGE

FLANGE MOUNT EXTERNAL CAGE

ORDERING CODE



PHONE: 504-340-0055
FAX: 504-340-0056

1209 DISTRIBUTORS ROW
NEW ORLEANS, LA 70123



Proudly Distributed By

TRIDENT AUSTRALIA
FLUID SYSTEMS & COMPONENTS

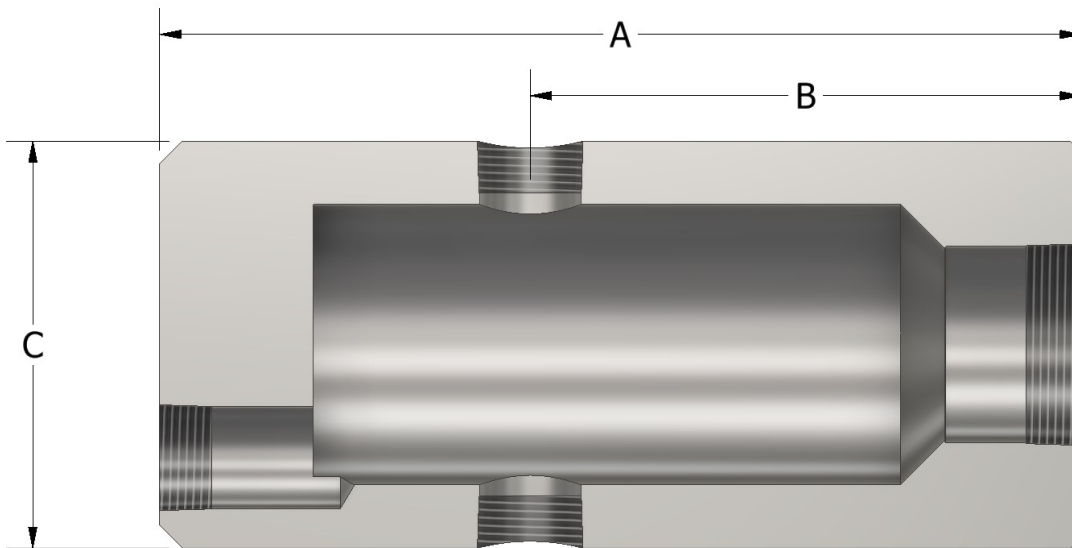
OPERATION

Ruelco Model Level Switch Cages are used for installing the Ruelco Level Switch externally on tanks or pressure vessels. The compact size of these units permit efficient bridle mounting of multiple switches using a minimum number of vessel connections. Standard cages use solid bar non-welded construction allowing them to withstand the most severe operating environments. An NPT drain port can also be added to the back of the cage for horizontal mounting.

FEATURES

- Coated 1018 or 316 stainless steel solid bar construction
- ANSI 600 or ANSI 900

NPT MOUNT EXTERNAL CAGE-DRAIN HOLE



DIMENSIONS

A	10.20" (259 mm)
B	6.10" (155 mm)
C	4.50" (114.3 mm)
LEVEL SWITCH CONNECTIONS	2" NPT
BRIDLE CONNECTIONS	1" NPT

SPECIFICATIONS

MAXIMUM WORKING PRESSURE @ 100° F	2,160 PSI (149 BAR)
MAXIMUM TEST PRESSURE @ 100° F	3,240 PSI (223.4 BAR)

ORDERING CODE

3C01SA0002

PHONE: 504-340-0055
FAX: 504-340-0056
EMAIL: SALES@RUELCO.COM

1209 DISTRIBUTORS ROW
NEW ORLEANS, LA 70123

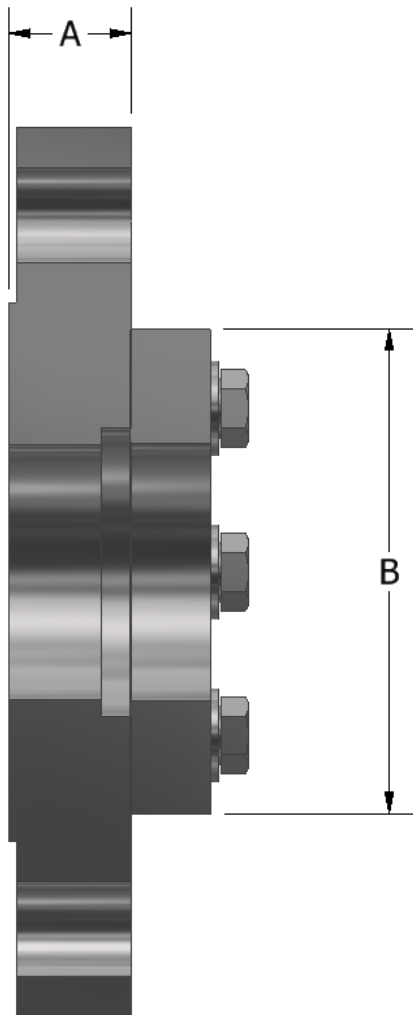


OPERATION

Ruelco Model External Mount Flanges are used for installing the Ruelco Level Switch externally on tanks or pressure vessels to a mating flange. Any ANSI or DIN flange can be machined to exacting specifications for the Ruelco Level Switch.

FEATURES

- Coated 1018 or 316 stainless steel solid bar construction
- Any standard size ANSI or DIN flange can be used



DIMENSIONS

A	FLANGE DEPENDANT
B	4.50" (114.3 mm)
LEVEL SWITCH	RUELCO FLANGE

EXTERNAL FLANGE MOUNT

PHONE: 504-340-0055
FAX: 504-340-0056
EMAIL: SALES@RUELCO.COM

1209 DISTRIBUTORS ROW
NEW ORLEANS, LA 70123



Proudly Distributed By

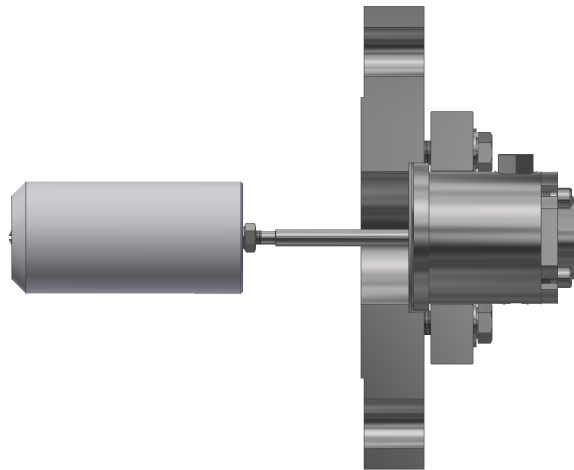
TRIDENT AUSTRALIA
FLUID SYSTEMS & COMPONENTS

PARTS LIST

ITEM	QUANTITY	DESCRIPTION	MATERIAL
1	1	ANSI OR DIN FLANGE	ASTM A-108 OR 316 ST. STL.
2	1	FLANGE GASKET	BLUE-GARD TM OR 316 ST. STL.
3	1	MOUNTING RING	ASTM A-108 OR 316 ST. STL.
4	6	FLAT WASHER	CARBON STEEL OR 316 ST. STL.
5	6	HEX HEAD BOLT	SAE GRADE 8 OR 316 ST. STL.

SPECIFICATIONS

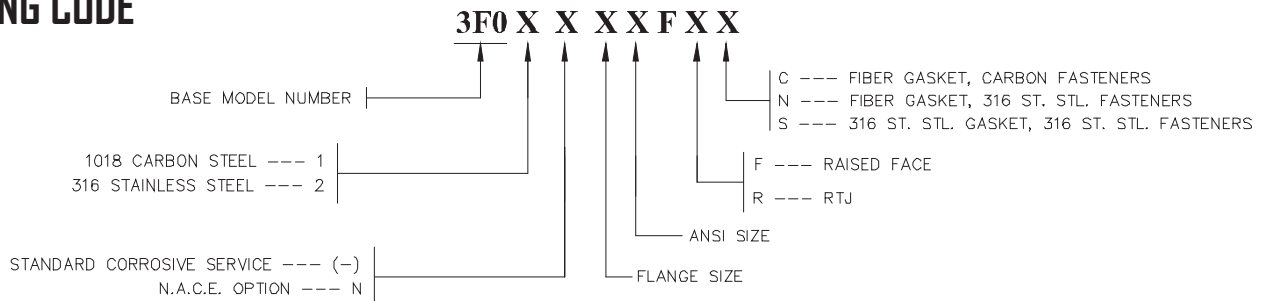
MAXIMUM WORKING PRESSURE @ 100° F	2,160 PSI (149 BAR)
MAXIMUM TEST PRESSURE @ 100° F	3,240 PSI (223.4 BAR)



SHOWN WITH LEVEL SWITCH INSTALLED IN FLANGE

EXTERNAL FLANGE MOUNT

ORDERING CODE



PHONE:

504-340-0055

FAX: 504-340-0056

1209 DISTRIBUTORS ROW
NEW ORLEANS, LA 70123